

SERVICE PARTS LIST FOR MITSUBISHI ELECTRIC PACKAGED AIR-CONDITIONERS

Series : PQRY-P·YHM-A(-H)

June 2009

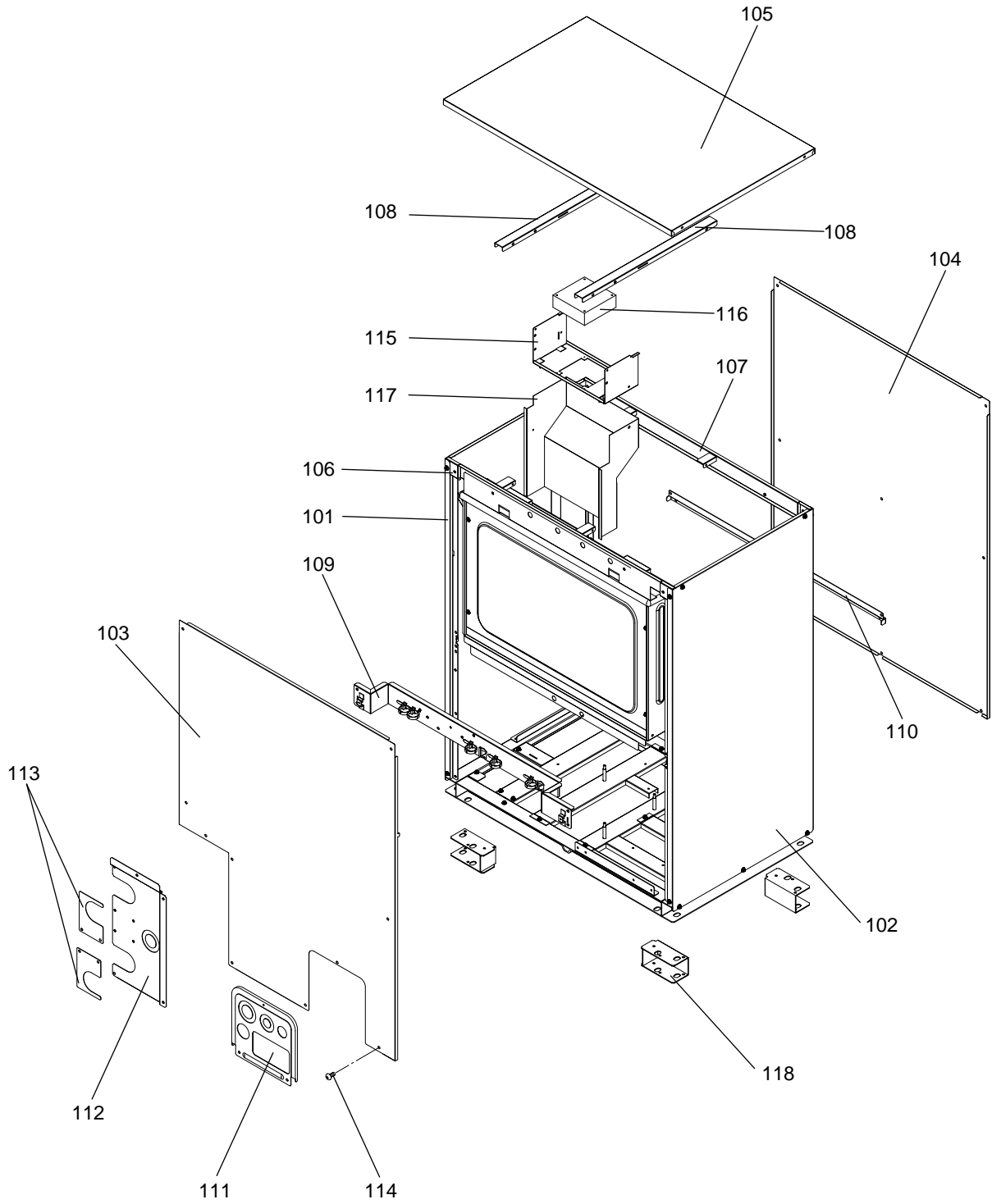
BWE09040

INDEX
PQRY-P200YHM-A
PQRY-P250YHM-A
PQRY-P300YHM-A
PQRY-P200YHM-A-H
PQRY-P250YHM-A-H
PQRY-P300YHM-A-H

The Package name list	
PQRY-P400YSHM-A	[PQRY-P200YHM-A+PQRY-P200YHM-A]
PQRY-P450YSHM-A	[PQRY-P200YHM-A+PQRY-P250YHM-A]
PQRY-P500YSHM-A	[PQRY-P250YHM-A+PQRY-P250YHM-A]
PQRY-P550YSHM-A	[PQRY-P250YHM-A+PQRY-P300YHM-A]
PQRY-P600YSHM-A	[PQRY-P300YHM-A+PQRY-P300YHM-A]
PQRY-P400YSHM-A-H	[PQRY-P200YHM-A-H+PQRY-P200YHM-A-H]
PQRY-P450YSHM-A-H	[PQRY-P200YHM-A-H+PQRY-P250YHM-A-H]
PQRY-P500YSHM-A-H	[PQRY-P250YHM-A-H+PQRY-P250YHM-A-H]
PQRY-P550YSHM-A-H	[PQRY-P250YHM-A-H+PQRY-P300YHM-A-H]
PQRY-P600YSHM-A-H	[PQRY-P300YHM-A-H+PQRY-P300YHM-A-H]

PQRY-P200,P250,P300YHM-A
PQRY-P200,P250,P300YHM-A-H

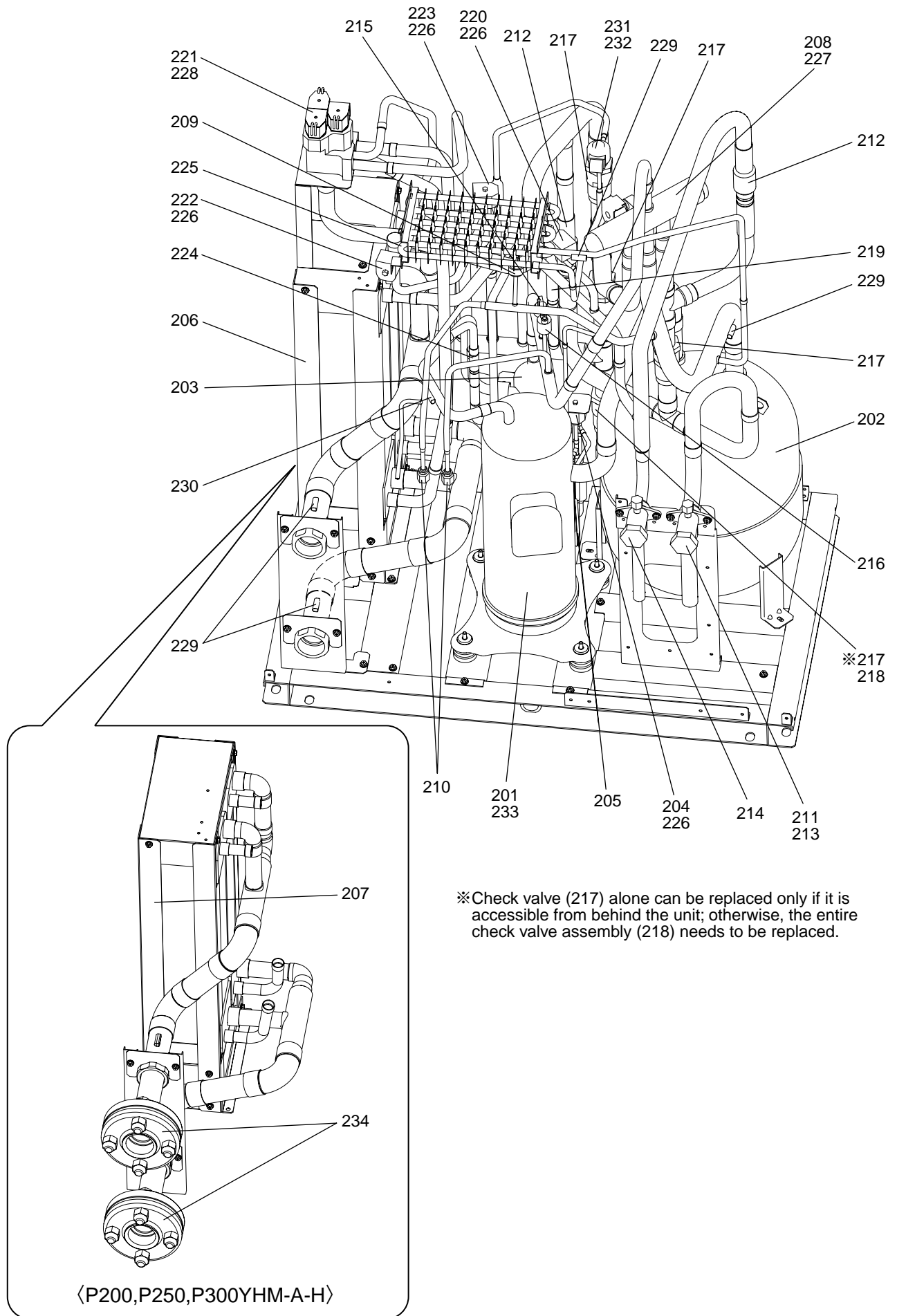
EXTERNAL PARTS



No.	Part No.	G : RoHS Apply Only W : RoHS Apply by Running Change	Part Name	Spec.	PQRY-P200YHM-A	PQRY-P250YHM-A	PQRY-P300YHM-A	PQRY-P200YHM-A-H	PQRY-P250YHM-A-H	PQRY-P300YHM-A-H	Dwg. No.	Price	Revision History
102	R61 080 662	G	Panel assy R		1	1	1	1	1	1	KB00P120G01		
103	R61 077 662	G	Panel assy F		1	1	1	1	1	1	KB00R842G03		
104	R61 003 677	G	Panel B		1	1	1	1	1	1	KB00P073G01		
105	R61 078 662	G	Panel assy T		1	1	1	1	1	1	KB01P062G01		
106	R61 027 162	G	Frame assy FU	BSG	1	1	1	1	1	1	KB00M725G03		
107	R61 028 162	G	Frame assy FR	BSG	1	1	1	1	1	1	KB00M722G03		
108	R61 029 162	G	Frame U		2	2	2	2	2	2	KB02T292H01		
109	R61 020 162	G	Frame assy M	BSG	1	1	1	1	1	1	KB00M785G02		
110	R61 026 162	G	Frame MB		1	1	1	1	1	1	KB02P064H01		
111	R61 026 667	G	Pipeing cover		1	1	1	1	1	1	KB02L001H03		
112	R61 125 651	G	Panel W		1	1	1	1	1	1	KB01P063G01		
113	R61 024 667	G	Panel attachment W		2	2	2	2	2	2	KB02M718H02		
114	R63 007 087	G	H Screw	5x14 KNURLED (30pcs)	3	3	3	3	3	3	KB00H418G02		
115	R61 015 128	G	Attachment fan	BSG	1	1	1	1	1	1	KB02R714G02		
116	R63 Y02 300	G	Fan	109S025UL	1	1	1	1	1	1	P712360X01		
117	R61 020 457	G	Duct	BSG	1	1	1	1	1	1	KB00M752G02		
118	R61 020 130	G	Attachment leg		4	4	4	4	4	4	KB02T253G01		

PQRY-P200,P250,P300YHM-A
 PQRY-P200,P250,P300YHM-A-H

FUNCTIONAL PARTS

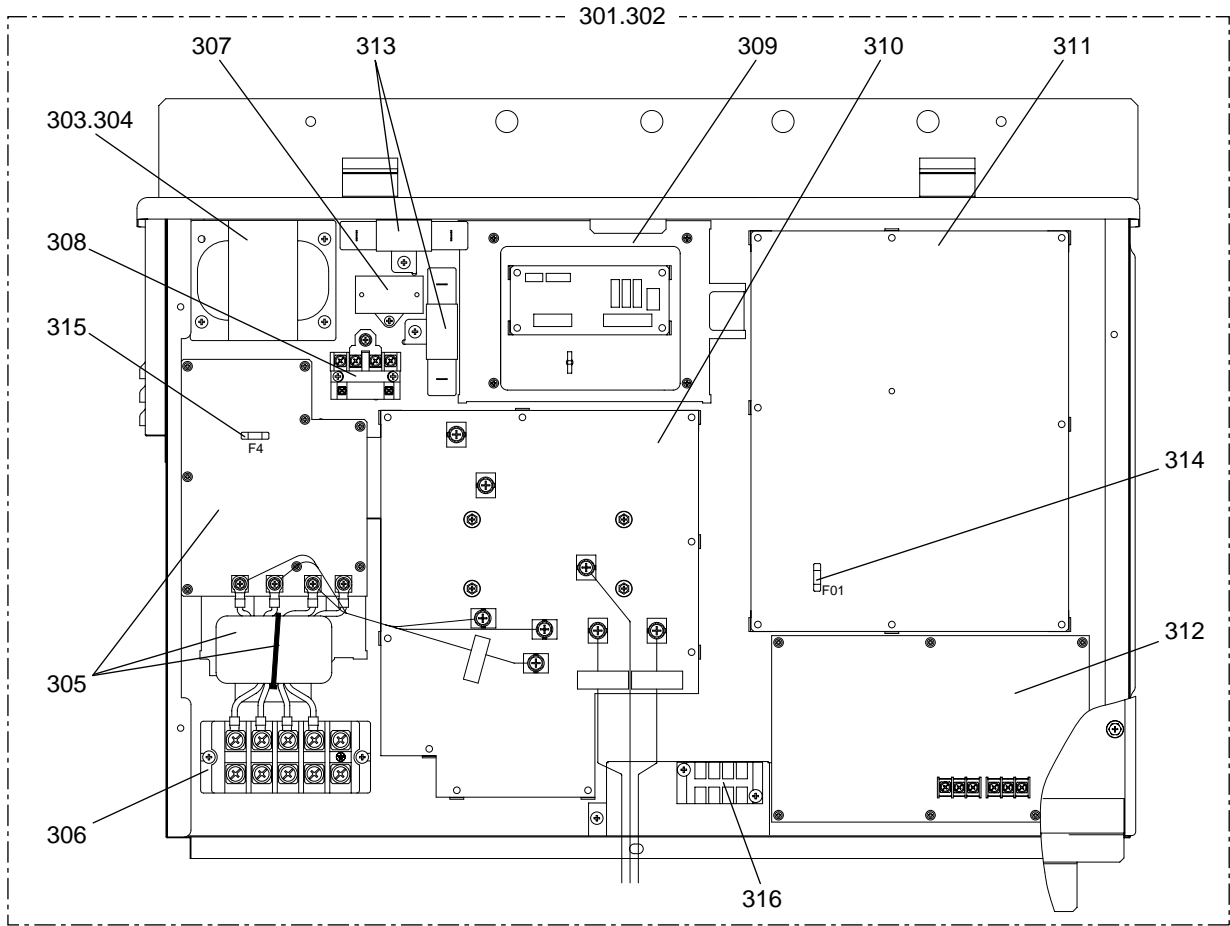


※Check valve (217) alone can be replaced only if it is accessible from behind the unit; otherwise, the entire check valve assembly (218) needs to be replaced.

PQRY-P200,P250,P300YHM-A
 PQRY-P200,P250,P300YHM-A-H

FUNCTIONAL PARTS

No.	Part No.	G : RoHS Apply Only W : RoHS Apply by Running Change		Spec.	PQRY-P200YHM-A	PQRY-P250YHM-A	PQRY-P300YHM-A	PQRY-P200YHM-A-H	PQRY-P250YHM-A-H	PQRY-P300YHM-A-H	Dwg. No.	Price	Revision History
			Part Name										
201	R69 023 478	G	Scroll compressor	ENB52FA-YE	1	1	1	1	1	1	EP10107B03		
202	R61 045 484	G	Accumulator assy		1	1	1	1	1	1	KB00T102G01		
203	R61 017 487	G	Oil separator assy		1	1	1	1	1	1	KB00R872G03		
204	R63 P90 232	G	Solenoid valve	VPV-152D SV1a	1	1	1	1	1	1	P631277X01		
205	R63 002 425	G	Capillary tube assy	CP1	1	1	1	1	1	1	KB49F229G01		
206	R61 012 409	G	Water-side heat exchanger assy		1	1	1				KB00M867G06		
207	R61 013 409	G	Water-side heat exchanger assy				1	1	1		KB00M867G07		
208	R63 Y05 154	G	Four way valve	STF-07 21S4a	1	1	1	1	1	1	P633119X01		
209	R63 016 288	G	Pressure sensor	LP D173 63LS	1	1	1	1	1	1	KB00M867G05		
210	R63 S84 413	G	Check joint	R410A CJ1 CJ2	2	2	2	2	2	2	P666002X01		
211	R63 007 538	G	Valve	VSAMH8SSCM-LA1 BV1	1	1	1	1	1	1	P636353X01		
212	R61 001 418	G	Check valve	BCV-1810 CV3a CV5a	2	2	2	2	2	2	P639170X01		
213	R63 5H4 454	G	Strainer	25.4D ST1	1	1	1	1	1	1	P641134X01		
214	R61 006 538	G	Valve	VSAMH6SSCM-LA1 BV2	1	1	1	1	1	1	P636352X01		
215	R63 015 288	G	Pressure sensor	HP D173 63HS1	1	1	1	1	1	1	KB00M867G04		
216	R63 Y11 208	G	Pressure switch	ACB1UB28W 63H1	1	1	1	1	1	1	P426320X01		
217	R61 002 418	G	Check valve	YDV-22Y9 CV2a CV4a CV7a CV8	4	4	4	4	4	4	P639175X01		
218	R63 007 418	G	Check valve assy	CV8	1	1	1	1	1	1	KB00M867G01		
219	R63 R43 418	G	Check valve	BCV-1005 CV6a	1	1	1	1	1	1	P639165X01		
220	R63 027 232	G	Solenoid valve	VALVE VPV-L SV9	1	1	1	1	1	1	P631296X01		
221	R61 038 232	G	Solenoid valve block		1	1	1	1	1	1	KB00T028G01		
222	R61 040 232	G	Solenoid valve	VPV-803DQ50 SV7b	1	1	1	1	1	1	P631300X01		
223	R63 001 921	G	Solenoid valve	VPV SV7a	1	1	1	1	1	1	P631295X01		
224	R63 984 904	G	Check valve	BCV-804DY CV11	1	1	1	1	1	1	P639163X01		
225	R61 319 480	G	INV heat exchanger assy		1	1	1	1	1	1	KB00T251G01		
226	R61 006 243	G	Solenoid valve coil	SV1a SV7a SV7b SV9	4	4	4	4	4	4	P472046X01		
227	R63 Y16 243	G	Solenoid valve coil	21S4a	1	1	1	1	1	1	P472024X01		
228	R63 Y18 243	G	Solenoid valve coil	SV4a SV4b SV4d	3	3	3	3	3	3	P472012X01		
229	R61 060 200	G	Thermistor	TH5 TH7 TH8 THINV	4	4	4	4	4	4	P418065X01		
230	R63 911 202	G	Thermistor	TH4	1	1	1	1	1	1	P425416X02		
231	R63 R34 401	G	Linear expansion valve	LEVINV	1	1	1	1	1	1	P632416X01		
232	R61 024 401	G	Linear expansion valve coil	CAM 6P LEVINV	1	1	1	1	1	1	P472054X01		
233	R61 003 237	G	Belt heater	240V 35W	1	1	1	1	1	1	P497067X01		
234	R61 001 635	G	O ring				2	2	2		KB34F478H01		



No.	Part No.	G : RoHS Apply Only W: RoHS Apply by Running Change		Spec.	PQRY-P200YHM-A	PQRY-P250YHM-A	PQRY-P300YHM-A	PQRY-P200YHM-A-H	PQRY-P250YHM-A-H	PQRY-P300YHM-A-H	Dwg. No.	Price	Revision History
			Part Name										
301	R61 194 305	G	Control box	WR250YHM	1	1		1	1		KE80C152G77		
302	R61 195 305	G	Control box	WR300YHM			1			1	KE80C152G79		
303	R61 017 259	G	Reactor	<DCL>	1	1		1	1		P715458X01		
304	R61 010 259	G	Reactor	<DCL>			1			1	P715439X02		
305	R61 003 293	G	Noise filter	<Noise Filter,L>	1	1	1	1	1	1	KE80C155G01		
306	R61 007 246	G	Terminal block	<TB1>	1	1	1	1	1	1	S436005H12		
307	R61 001 255	G	Capacitor assy	<C100>	1	1	1	1	1	1	KE00D263G01		
308	R61 003 216	G	Relay	<72C>	1	1	1	1	1	1	P421295X01		
309	R63 Y55 280	G	Relay board		1	1	1	1	1	1	W629574G01		
310	R61 038 280	G	INV board		1	1	1	1	1	1	KE80C154G01		
311	R61 034 281	G	Control board		1	1	1	1	1	1	KE80C153G72		
312	R61 118 280	G	M-NET board		1	1	1	1	1	1	KE80C055G05		
313	R61 001 234	G	Resistor	<R1>,<R5>	2	2	2	2	2	2	P411151X01		
314	R61 005 239	G	Fuse	3.15A AC250V T	1	1	1	1	1	1	S423001H39		
315	R63 993 964	G	Fuse	6.3A AC250V T	1	1	1	1	1	1	S423001H30		
316	R61 019 246	G	Terminal block	<TB8>	1	1	1	1	1	1	S436005H15		

